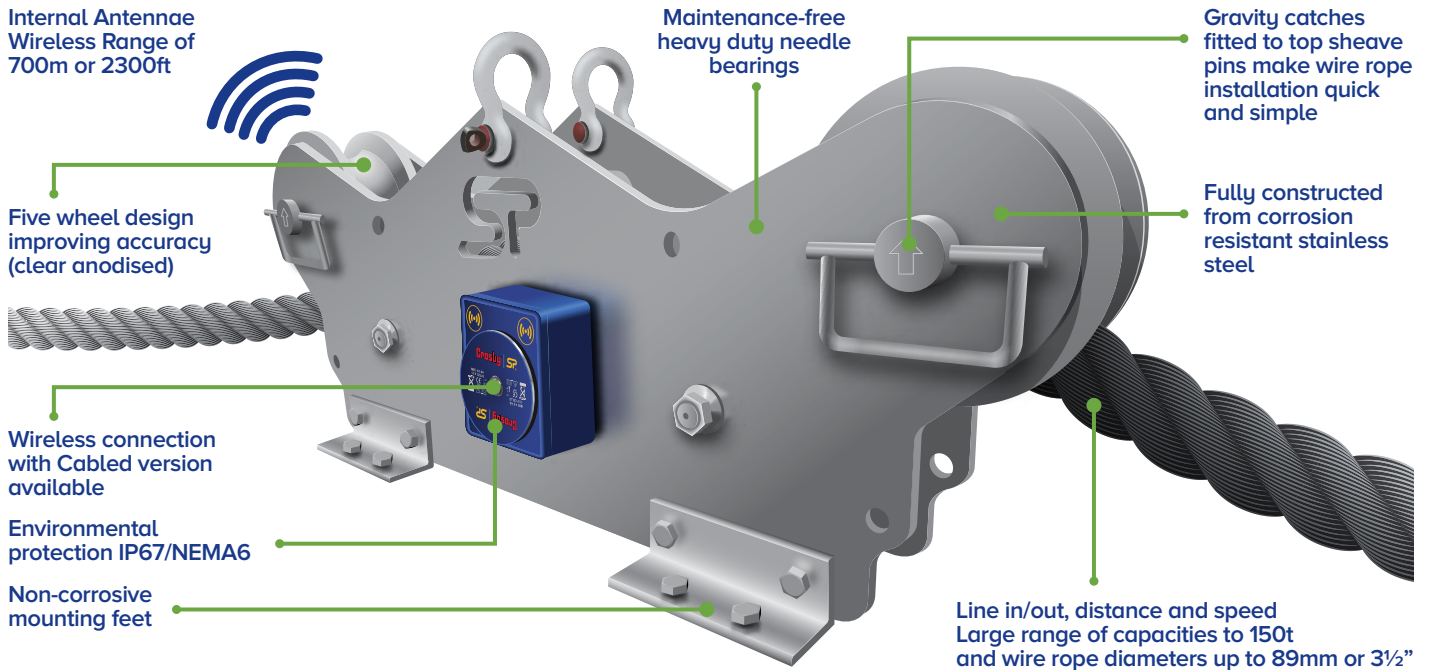


Running Line Dynamometer



The TIMH range is a Running Line Tensiometer, or RLTM, built with dockside, marine, offshore, towage and salvage applications in mind.

It is particularly useful where there is no anchor or dead end on the line to rig a Straightpoint Radiolink or Loadlink digital dynamometer. The TIMH can measure tension force at speeds up to 20m/min or 65ft/min.

It is constructed from marine-grade stainless steel and is suitable for many wire rope configurations up to 80t and will, as an option, calculate lineout in metres or feet.

The TIMH has several mounting points featured in its unique design, however, if other mounting options are required, Straightpoint can provide a custom engineered solution specific to your application.

Available as a wireless or cabled system utilising Straightpoint's HHP range of handheld displays or SW-MWLC software, this impressive Running Line Dynamometer or RLTM is available to ship from stock, to anywhere in the world within days.

Features and benefits:

- Five-wheel design improving accuracy
- Cabled or wireless options
- Fully constructed from corrosion-resistant stainless steel
- IP67/NEMA6 Loadpin
- Gravity catches fitted to top sheave pins make wire rope installation quick and simple
- Industry leading battery life of 1200hrs (wireless)
- Maintenance free heavy duty bearings
- Large range of capacities to 150t and wire rope diameters up to 89mm/3½"
- Options for line out available
- Software available to data log and monitor or analogue outputs
- Design validated by F.E.A.

- Bluetooth option is available and is supplied with a free HHP App for iOS and Android

Also available with hazardous area approval. Zones 0, 1 & 2



ATEX / IECEx
Ex ia II C T4 Ga

Certification numbers:

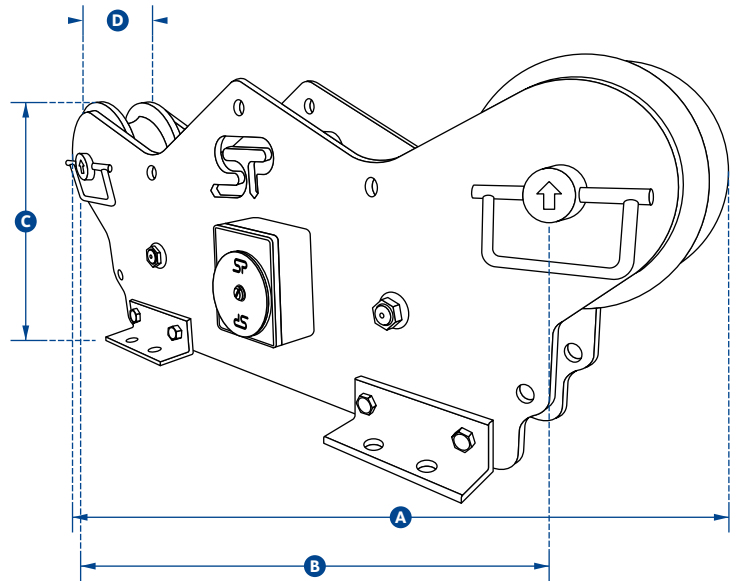
TIMH ATEX

IECEx SIR 16.0041X / Sira 16ATEX2108X

SW-HHP ATEX

IECEx SIR 15.0072X / Sira 15ATEX2196X

Add 'ATEX' to the part number when ordering ATEX/IECEx products. For example: TIMH10T-ATEX



Part Number	MTIMH10T	TIMH10T	TIMH25T	TIMH56T	TIMH80T	TIMH150T
Capacity	10te	10te	25te	56te	80te	150te
	22000lb	22000lb	55000lb	123200lb	176000lb	330000lb
Resolution	0.01te	0.01te	0.02te	0.05te	0.1te	0.2te
	20lb	20lb	50lb	100lb	200lb	500lb
Wire Rope Ø	4-19mm	13-19mm	16-26mm	28-38mm	40-52mm	52-89mm
	5/32" - 3/4"	1/2" - 3/4"	5/8" - 1"	1 1/8" - 1 1/2"	1 5/8" - 2"	2" - 3 1/2"
Weight	9kg	90kg	86kg	81kg	76kg	230kg
	20lb	198lb	190lb	179lb	168lb	506lb
Battery Type	4 x AA Alkaline					
Battery Life	1200hrs continuous (500hrs if Bluetooth)					
Operating Temp	-10°C to +50°C / 14°F to 122°F					
Accuracy	±2% of full scale					
Frequency	2.4 GHz					
System Range	700 metres / 2300 feet (100 metres / 328 feet if Bluetooth)					
Data Rate	3 updates per second					
Protection	IP67/NEMA6					
Maximum Speed	20m per minute / 65ft per minute					
Dimension A	422mm		880mm			1250mm
	16.62"		34.65"			49.21"
Dimension B	330mm		700mm			1050mm
	13"		27.55"			41.33"
Dimension C	152mm		330mm			416mm
	5.98"		12.99"			16.37"
Dimension D	36mm		110mm			153mm
	1.4"		4.33"			6.02"