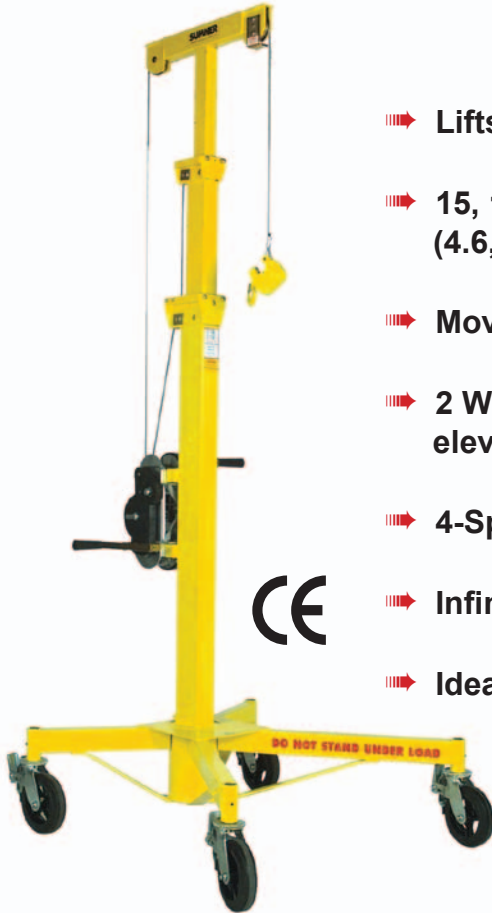


## The Versatile Lift That Makes One Man A Crew!



- ▶ Lifts 1,500 lb (680 kg)
- ▶ 15, 18 and 25 foot heights (4.6, 5.5 and 7.6 m)
- ▶ Moves vertically and horizontally
- ▶ 2 Winches: operate load and mast elevation separately
- ▶ 4-Speed Load winches
- ▶ Infinite load height adjustment
- ▶ Ideal for job or shop



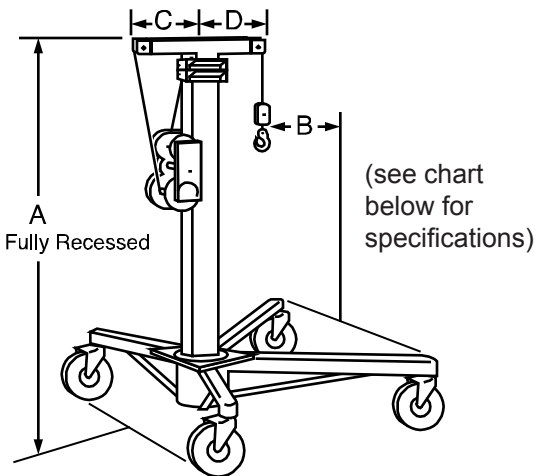
- ▶ Enables one man to perform as a crew – pays for itself in days!

- ▶ Lift and place loads in tight locations impossible for other lifts

- ▶ 8" casters (200 mm) permit full load to be positioned with ease

- ▶ Tee Head Extension available for wider loads up to 1,000 lbs (455 kg)

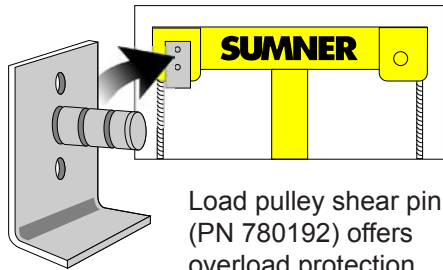
- ▶ Eliminates the need for come alongs, scaffolds, monorails and swing booms



Mast and base sections separate quickly for ease of transportation and storage.

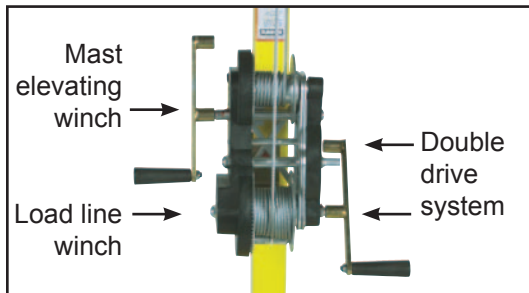
| Part No. | Description                       | Weight |     | A    |     | B    |    | C/D  |    | Base    |           | Max Height  |     |
|----------|-----------------------------------|--------|-----|------|-----|------|----|------|----|---------|-----------|-------------|-----|
|          |                                   | lb     | kg  | inch | cm  | inch | cm | inch | cm | inch    | cm        |             |     |
| 780300   | R-100 Roust-A-Bout 15' Top Height | 330    | 150 | 79   | 200 | 20   | 50 | 12   | 30 | 32 x 40 | 80 x 100  | 15' 2-1/2"  | 4.6 |
| 780301   | R-150 Roust-A-Bout 15' Top Height | 336    | 152 | 79   | 200 | 20   | 50 | 12   | 30 | 40 x 40 | 100 x 100 | 15' 2-1/2"  | 4.6 |
| 780302   | R-180 Roust-A-Bout 18' Top Height | 403    | 183 | 126  | 320 | 25   | 63 | 14.5 | 36 | 50 x 50 | 125 x 125 | 17' 11-5/8" | 5.5 |
| 780303   | R-250 Roust-A-Bout 25' Top Height | 493    | 224 | 119  | 302 | 30   | 75 | 17.5 | 44 | 60 x 60 | 150 x 150 | 25' 3/8"    | 7.6 |

# Roust-A-Bout



Load pulley shear pin (PN 780192) offers overload protection. Each Roust-A-Bout comes with a spare for quick, in-field resetting.

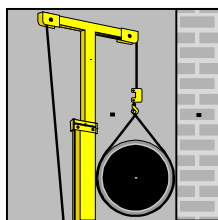
## Two Winch System



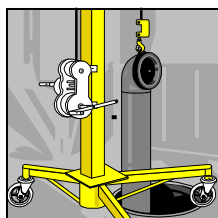
Available in optional galvanized finish!



## The Roust-A-Bout Tackles the Tough Jobs:

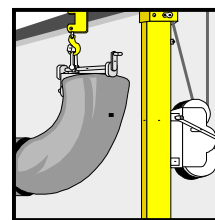


The Roust-A-Bout operates in tight areas that are inaccessible for other lifts.

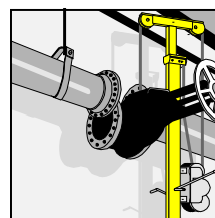


Loads can be lowered below floor level with the Roust-A-Bout's unique design.

Used in combination with Sumner's Adjust-A-Fit, the Roust-A-Bout can maneuver awkward objects for easy placement.



One man can position objects weighing 1,500 lb (680 kg) with infinite accuracy... up to 25 feet above!



# Tee-Head Extension Bar

Lift wider loads with the Sumner Roust-A-Bout!

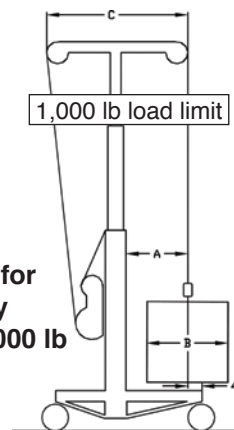


➔ Takes only minutes to attach or detach

| Part No. | Description                      | Weight |      | A    |    | B    |     | C    |     |
|----------|----------------------------------|--------|------|------|----|------|-----|------|-----|
|          |                                  | lb     | kg   | inch | cm | inch | cm  | inch | cm  |
| 781060   | R-100/150 Tee-Head Extension Bar | 21     | 9.5  | 22   | 55 | 43   | 108 | 48   | 120 |
| 781061   | R-180 Tee-Head Extension Bar     | 24     | 11.0 | 29   | 73 | 58   | 145 | 63   | 158 |
| 781062   | R-250 Tee-Head Extension Bar     | 33     | 15.0 | 37   | 93 | 73   | 183 | 68   | 173 |

➔ Expands the Roust-A-Bout for handling bulky loads up to 1,000 lb (455 kg)

Caution: Load center is moved to only 4" (10 cm) back of front casters, decreasing stability. Use carefully and only on bulky loads up to 1,000 lb/455 kg.



# SUMNER

Sumner Manufacturing Co, Inc.  
www.sumner.com

DISTRIBUTED BY: GPS Lifting Ltd  
www.gpslifting.co.uk  
sales@gpslifting.co.uk  
Tel 0161 501 1009

Sumner - U.S. 7514 Alabonson Road • Houston, TX 77088 • Ph: 281-999-6900 • Fax: 281-999-6966

Sumner - Canada 75 Saltsman Drive, Unit 5 • Cambridge, Ontario N3H 4R7 • Ph: 519-653-5300 • Fax: 519-653-5305

Sumner - Netherlands Midden Engweg 21 • NL-3882TS Putten • The Netherlands • Ph: +31 (0) 85 489 0284 • europeansales@sumner.com 6