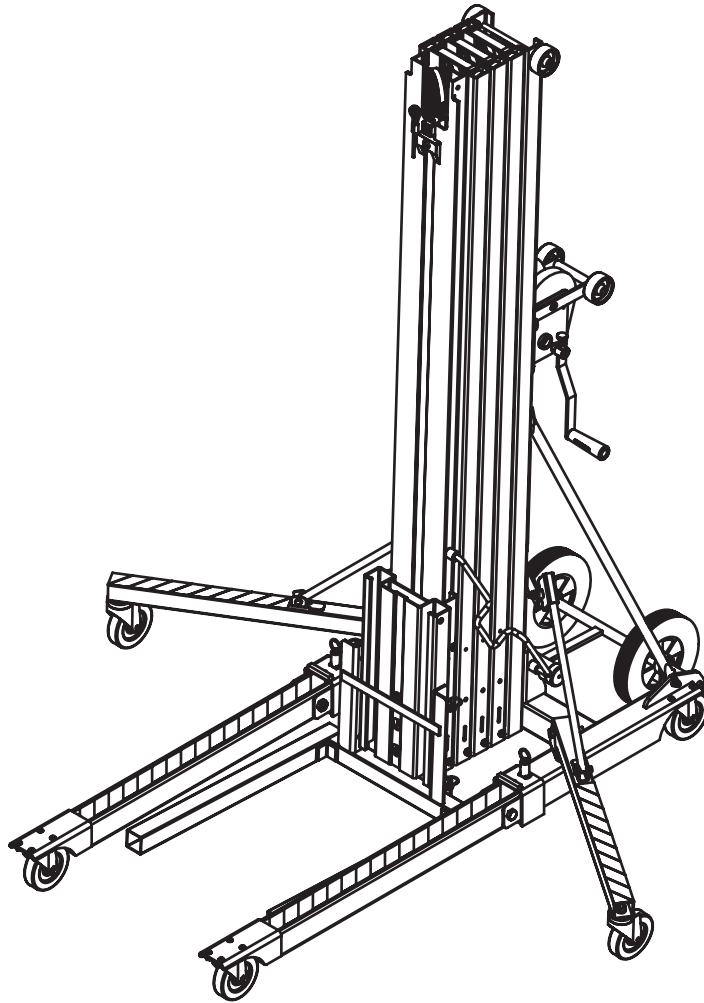


---

# PARTS MANUAL

## SERIES 2100 CONTRACTOR LIFT

---



# SUMNER\*



A Southwire Company

---

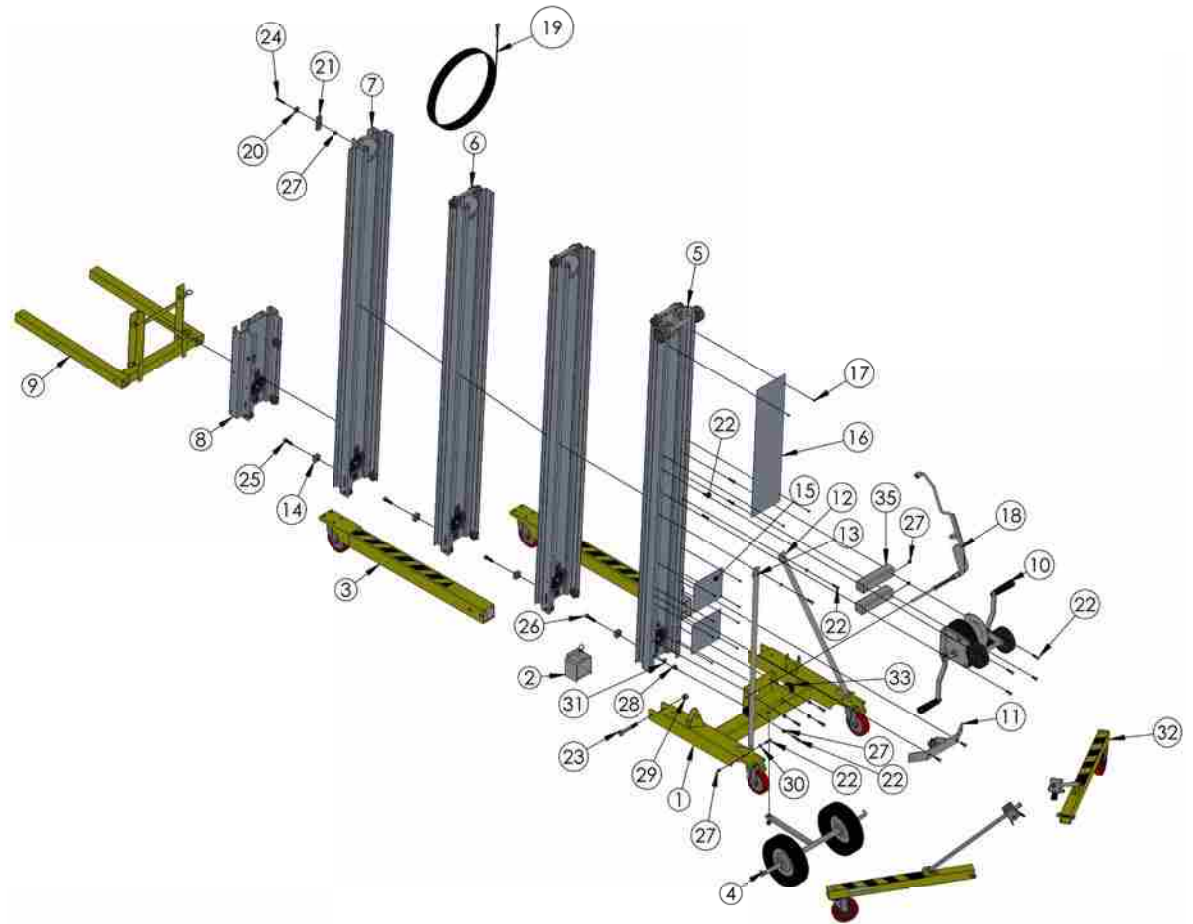
USA • 7514 Alabonson Road • Houston, TX 77088 • Ph: 281-999-6900 • Fax: 281-999-6966

Canada • 75 Saltsman Drive, Unit 5 • Cambridge, ON N3H 4R7 • Ph: 519-653-5300 • Fax: 519-653-5305

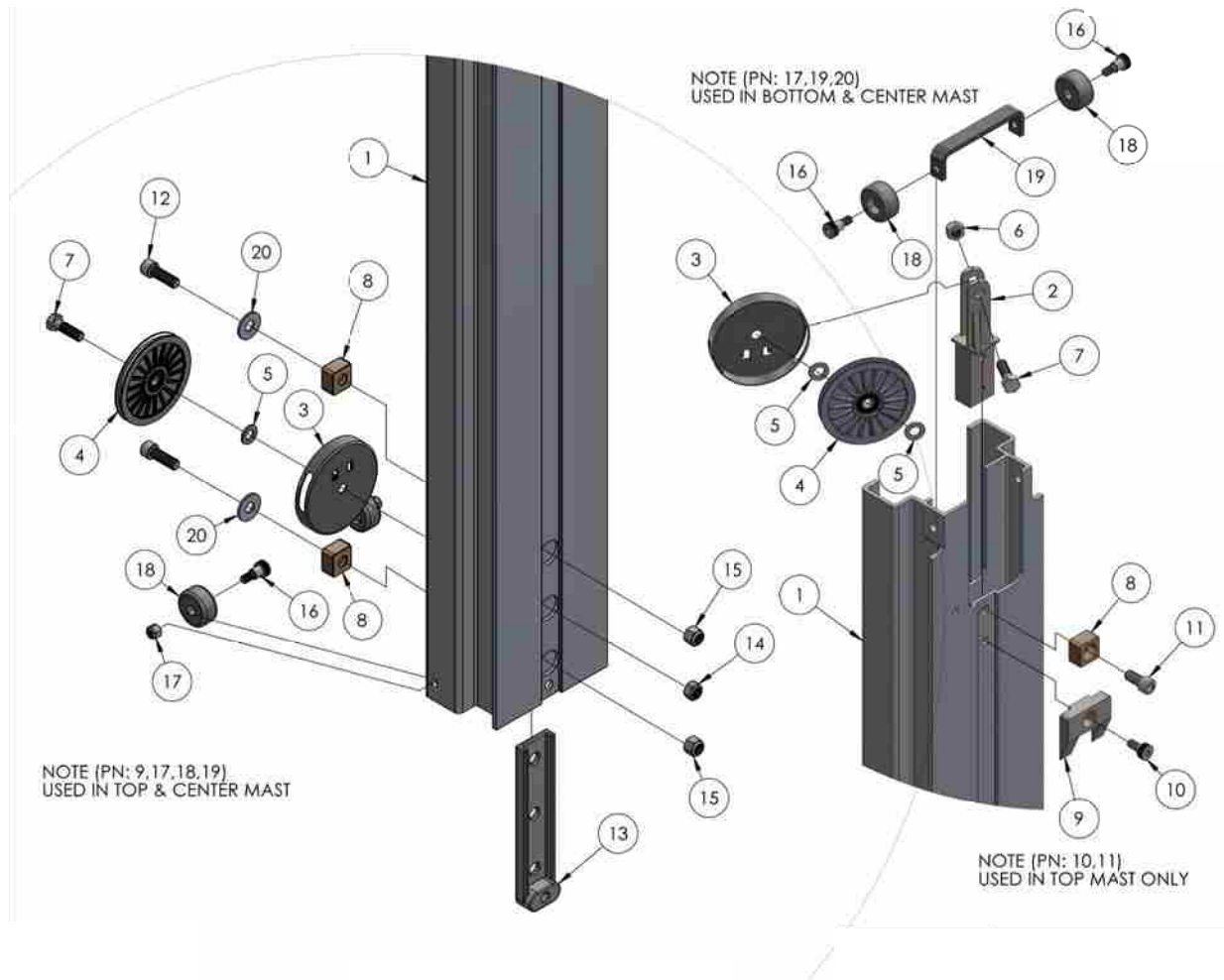
Netherlands • Midden Engweg 21 • NL-3882TS Putten • Netherlands • +31 (0) 6 13147979

# 2100 LIFT ASSEMBLY

ITEM NO.	PART NUMBER	DESCRIPTION	QTY.
1	783750	BASE ASSEMBLY, 2100 LIFT	1
2	783746	LEG LOCK ASSEMBLY, 2100 SERIES	2
3	783730	FRONT LEG ASSEMBLY 10/12/15	2
3	783739	FRONT LEG ASSEMBLY 18/20/24/25	2
4	783736	10" WHEEL KIT, 2100 SERIES	1
5	783660	BOTTOM MAST ASSEMBLY-2100	1
6	783662	CENTER MAST ASSEMBLY	2
7	783683	TOP MAST ASSEMBLY	1
8	783682	CARRIAGE ASSEMBLY	1
9	783653	STANDARD FORK ASSEMBLY	1
10	784490	NL WINCH ASSEMBLY	1
11	783582	SPREADER PLATE ASSEMBLY	1
12	780819	BRACE MAST RIGHT LF-165"	1
13	780820	BRACE MAST LEFT LF-166"	1
14	783575	STOP BLOCK	4
15	783916	MAST COVER ALUM BTM 2000/2100/2600	2
16	783919	MAST COVER ALUM TOP 2100	1
17	776055	SCREW, SM #8 X 3/4 SELF TAPPING	12
18	783040	MAST HOLD DOWN BAR TYPE 2100	1
19	783628	LOAD LINE ASSEMBLY, 2012/2112	1
19	783629	LOAD LINE ASSEMBLY, 2018/2118	1
19	783630	LOAD LINE ASSEMBLY, 2024/2124	1
20	782910	ROPE RET. WASHER	1
21	783551	LOCK BLOCK	1
22	771060	SCREW, HHC 3/8-16X1.25"LN	14
23	771146	SCREW, HHC 5/8-11X4"LN	2
24	771248	SCREW, FHSC 3/8-1X2"LN	1
25	771257	SCREW, SHC 1/2- 13 X 1 - 1/2	3
26	771252	SCREW, SHC 1/2-13X2"LN	1
27	772355	NUT, INSERT LOCK 3/8-16	19
28	772358	NUT, INSERT JAM 1/2 -13	1
29	772503	NUT, INSERT JAM 5/8-11	2
30	773040	WASHER FLAT 3/8 USS	4
31	773094	WASHER, FLAT 1/2 SAE	1
32	783935	OUTRIGGER ASSEMBLY 2000/2100	1
33	779905	CAP, 2" OD TUBE, BLACK	2
34	778383	LABLE KIT, 2100 SERIES	1
35	783552	STANDOFF-2112	2
39	771107	SCREW, HHC 3/8-16 X 1	4

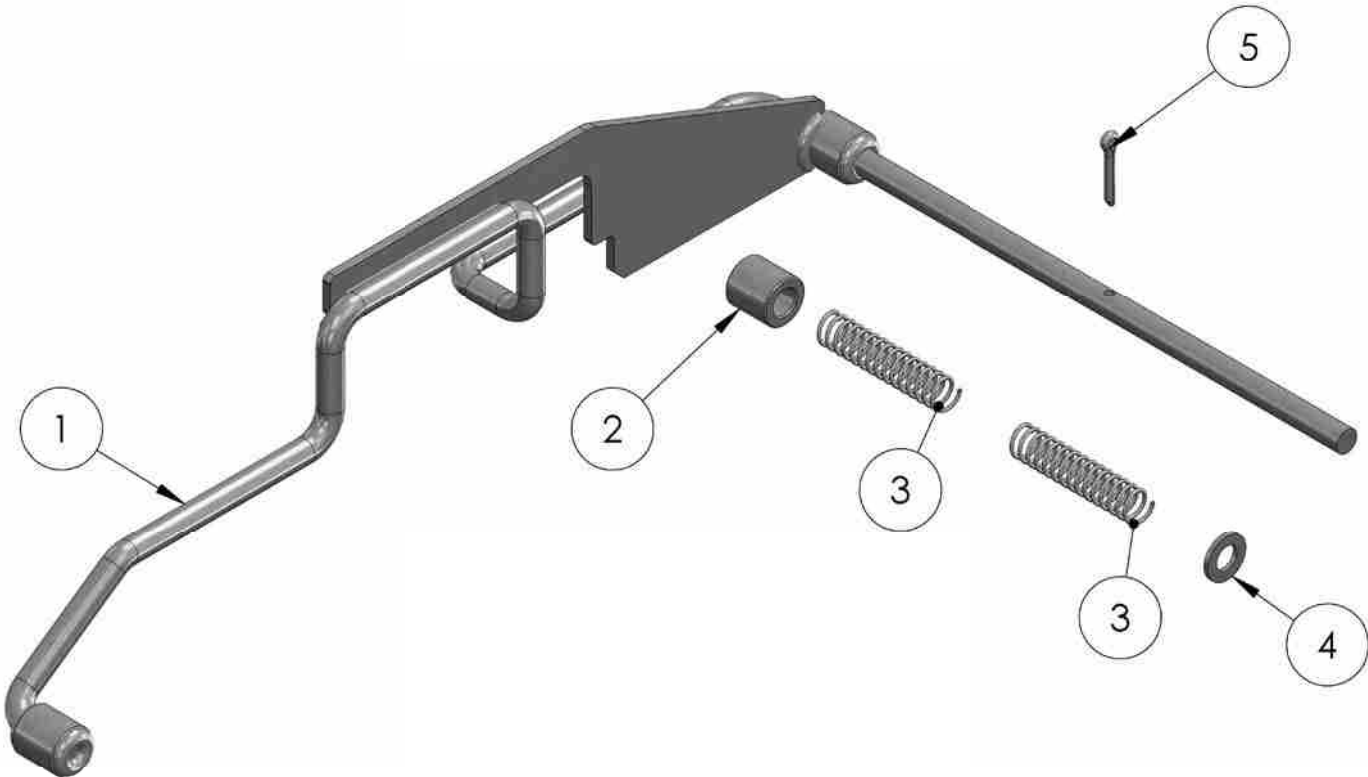


# 2100 LIFT UPPER AND LOWER MAST ASSEMBLY



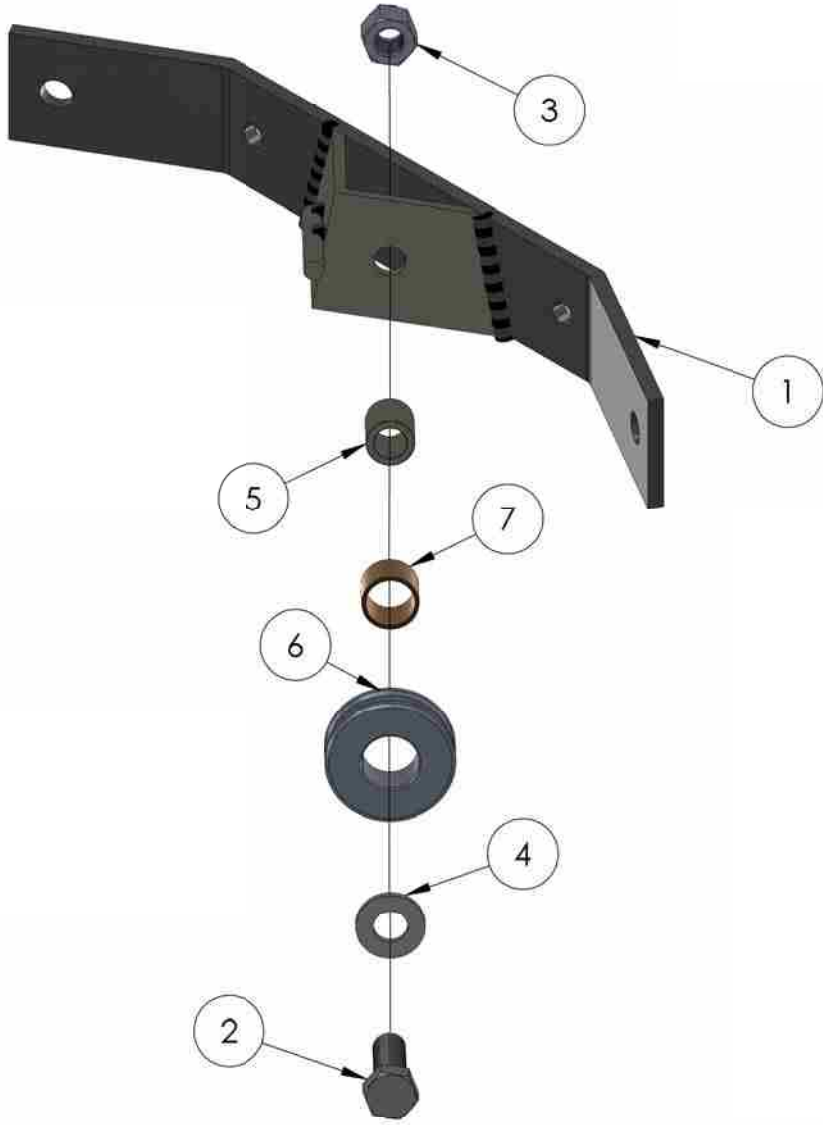
ITEM NO.	PART NUMBER	DESCRIPTION	QTY.
1	783661	UPPER MAST FABRICATION - 2100	1
2	783537	TOP PULLEY MOUNT 2000 SERIES	1
3	783536	PULLEY GUARD	2
4	783921	PULLEY ASSY, ALUM 2000/2100 LIFTS	2
5	773096	WASHER, FLAT M12	3
6	772505	NUT, INSERT JAM M12	1
7	771161	SCREW, HHC M12-1.75 X 40	2
8	783575	STOP BLOCK	3
9	783694	STOP BLOCK WEDGE	1
10	771339	SCREW SHOULDER 1/2 X 1/14	1
11	771258	SCREW, SHOULDER 1/2-13 X 1	1
12	771257	SCREW, SHC 1/2 - 13 X 1 - 1/2	2
13	783478	BACK PLATE WELDMENT	1
14	772800	NUT, INSERT LOCK 12MM	1
15	772357	NUT, INSERT LOCK 1/2 - 13	2
16	771350	SCREW, SHOULDER 1/2 X 1/2	4
17	772350	NUT, INSERT JAM 3/8 - 16	2
18	783540	MAST ROLLER	4
19	783649	TOP REINFORCEMENT BRACKET	1
20	773060	WASHER, FLAT 1/2 USS	2

# 783040 - MAST HOLD DOWN ASSEMBLY



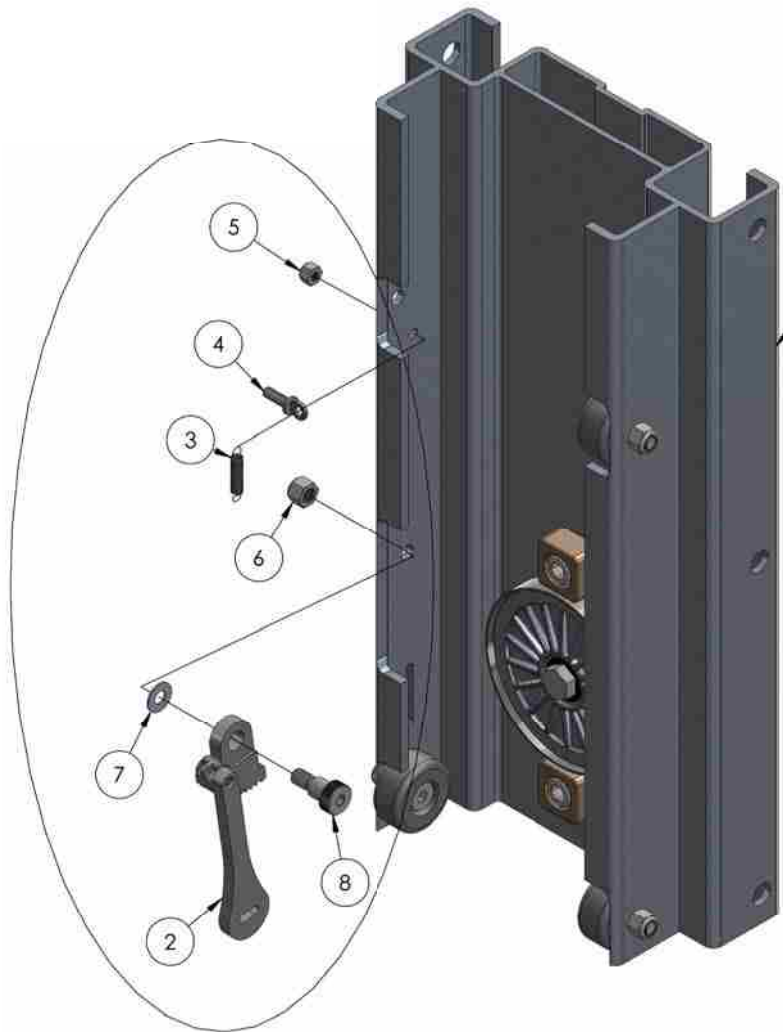
ITEM NO.	PART NUMBER	DESCRIPTION	QTY.
1	783041	MAST HOLD DOWN DEVICE WELDMENT	1
2	783044	MAST HOLD DOWN SPACER	1
3	776216	SPRING, CENTURY #71912S	2
4	773096	WASHER, FLAT M12	1
5	774051	PIN, COTTER 0.125 X 0.75"	1

# 783040 - MAST HOLD DOWN ASSEMBLY



ITEM NO.	PART NUMBER	DESCRIPTION	QTY.
1	783581	SPREADER PLATE WELDMENT	1
2	771120	SCREW, HHC 1/2-13 x 1.5" LN	1
3	772358	NUT, INSERT JAM 1/2 -13	1
4	773094	WASHER, FLAT 1/2 SAE	1
5	782960	ROLLER SHAFT	1
6	780235	SHEAVE, RAB-222 ( 2")	1
7	775060	BUSHING, BRONZE 0.75 X 0.875 X 0.625	1

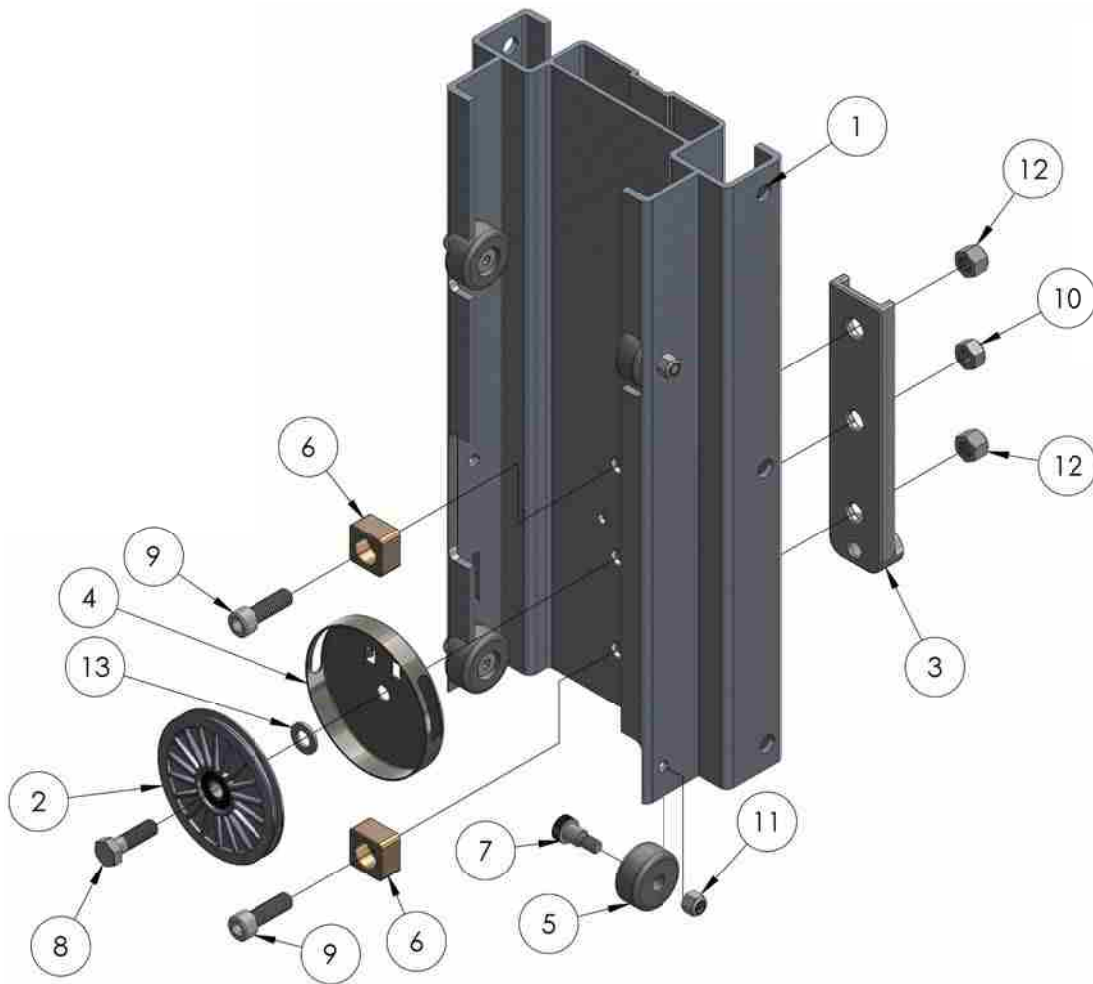
# 783663 - BRAKE CAM AND WEIGHT ASSEMBLY



CARRAGE ASSEMBLY NOT INCLUDED IN BRAKE KIT. CARRAGE USED TO ASSIST IN INSTALL LOCATION.

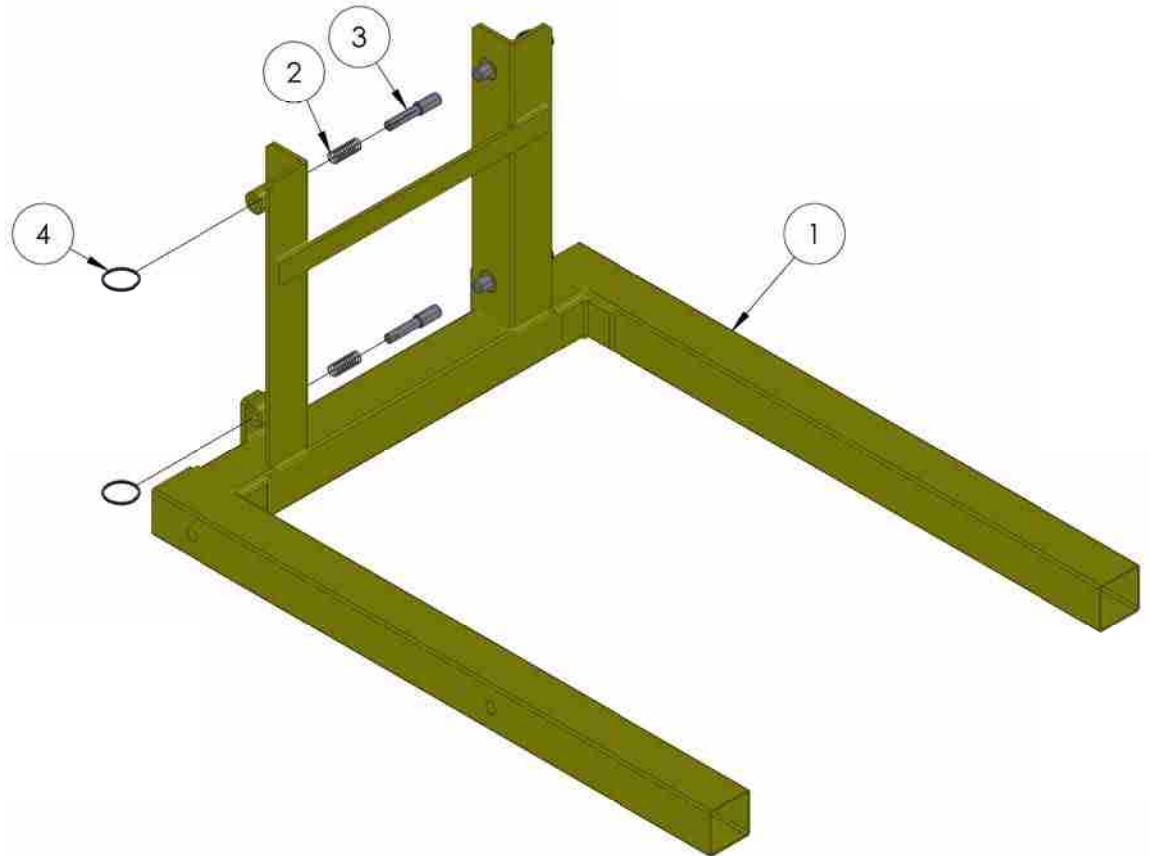
ITEM NO.	PART NUMBER	DESCRIPTION	QTY.
2	783692	BRAKE CAM AND WEIGHT ASSEMBLY	1
3	783530	BRAKE SPRING	1
4	779900	SCREW, ADJUSTING (OHIO ES2112) EYE BOLT	1
5	772076	NUT, INSERT LOCK 1/4-20	1
6	772350	NUT, INSERT JAM 3/8 - 16	1
7	773042	WASHER, FLAT 5/16	1
8	771350	SCREW, SHOULDER 1/2 X 1/2	1

# 783682 - CARRIAGE ASSEMBLY



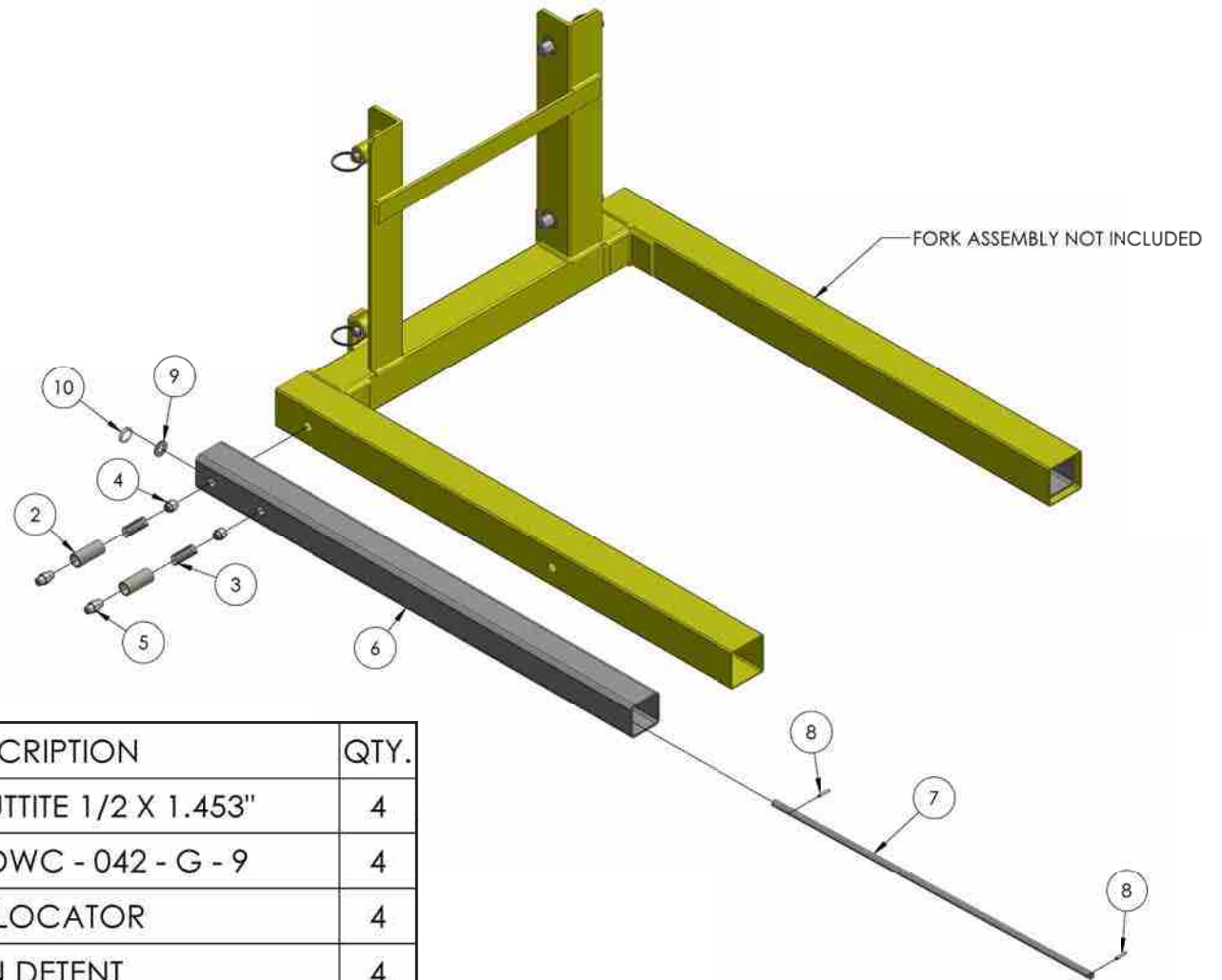
ITEM NO.	PART NUMBER	DESCRIPTION	QTY.
1	783534	CARRIAGE	1
2	783921	PULLEY ASSY, ALUM 2000/2100	1
3	783478	BACKING PLATE	1
4	783536	PULLEY GUARD	1
5	783540	MAST ROLLER	4
6	783575	STOP BLOCK	2
7	771350	SCREW, SHOULDER 1/2 X 1/2	4
8	771161	SCREW, HHC M12 - 1.75 X 40	1
9	771257	SCREW, SHC 1/2-13 X 1-1/2	2
10	772800	NUT, INSERT LOCK 12MM	1
11	772350	NUT, INSERT JAM 3/8-16	4
12	772357	NUT, INSERT LOCK 1/2-13	2
13	773096	WASHER, FLAT M12	1

# 783653 - 2000/2100 FORK ASSEMBLY



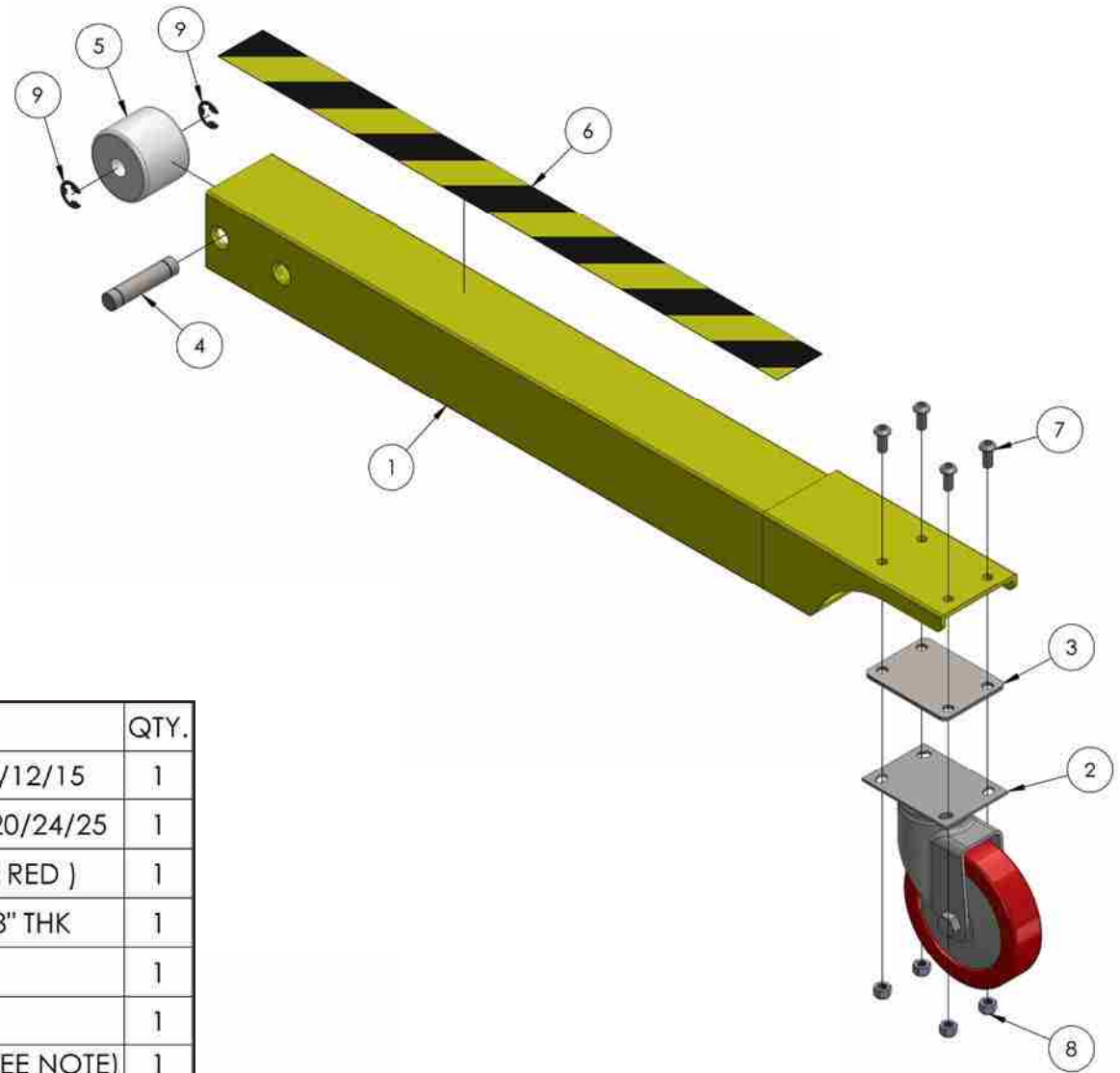
ITEM NO.	PART NUMBER	DESCRIPTION	QTY.
1	783547	FORK WELDMENT, 2000/2100 LIFT	1
2	776212	SPRING, #DWC - 042 - G - 9	4
3	782510	PLUNGER	4
4	775110	SPLIT RING 1-1/4" NICKLE PLATED	4

# 783691 - FORK EXTENSION INSTALL KIT



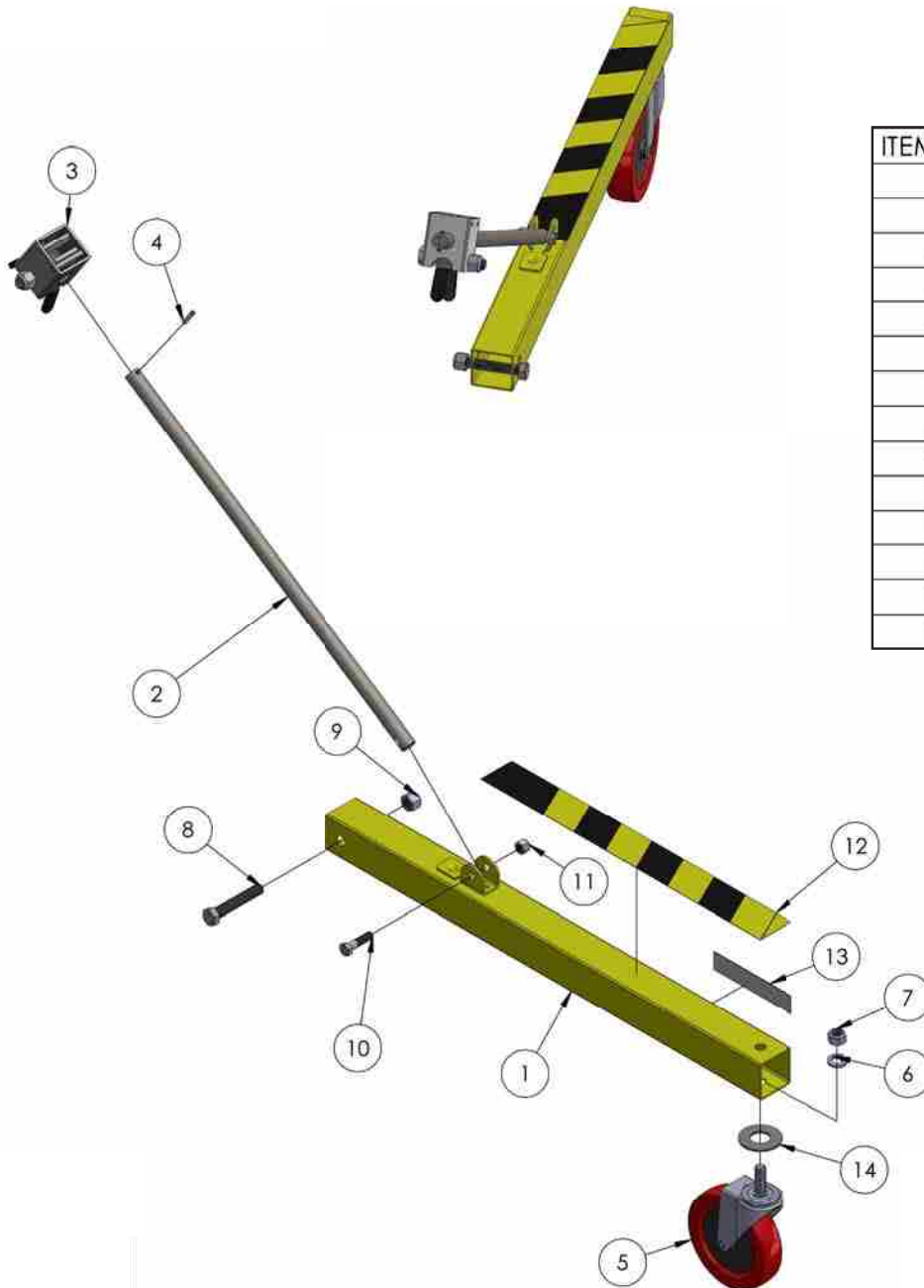
ITEM NO.	PART NUMBER	DESCRIPTION	QTY.
2	774035	SPACER, BUTTITE 1/2 X 1.453"	4
3	776212	SPRING, #DWC - 042 - G - 9	4
4	783508	PIN LOCATOR	4
5	783509	PIN DETENT	4
6	783588	FORK EXTENSION WELDMENT	2
7	783789	FORK EXTENSION LIMIT ROD, 2000/2100	2
8	774092	PIN, ROLL 1/8 X 6.25	4
9	773042	WASHER, FLAT 5/16	2
10	774053	COTTER, CIRCLE Z/P 0.048 X 0.75	2

# 783730 - FRONT LEG ASSEMBLY



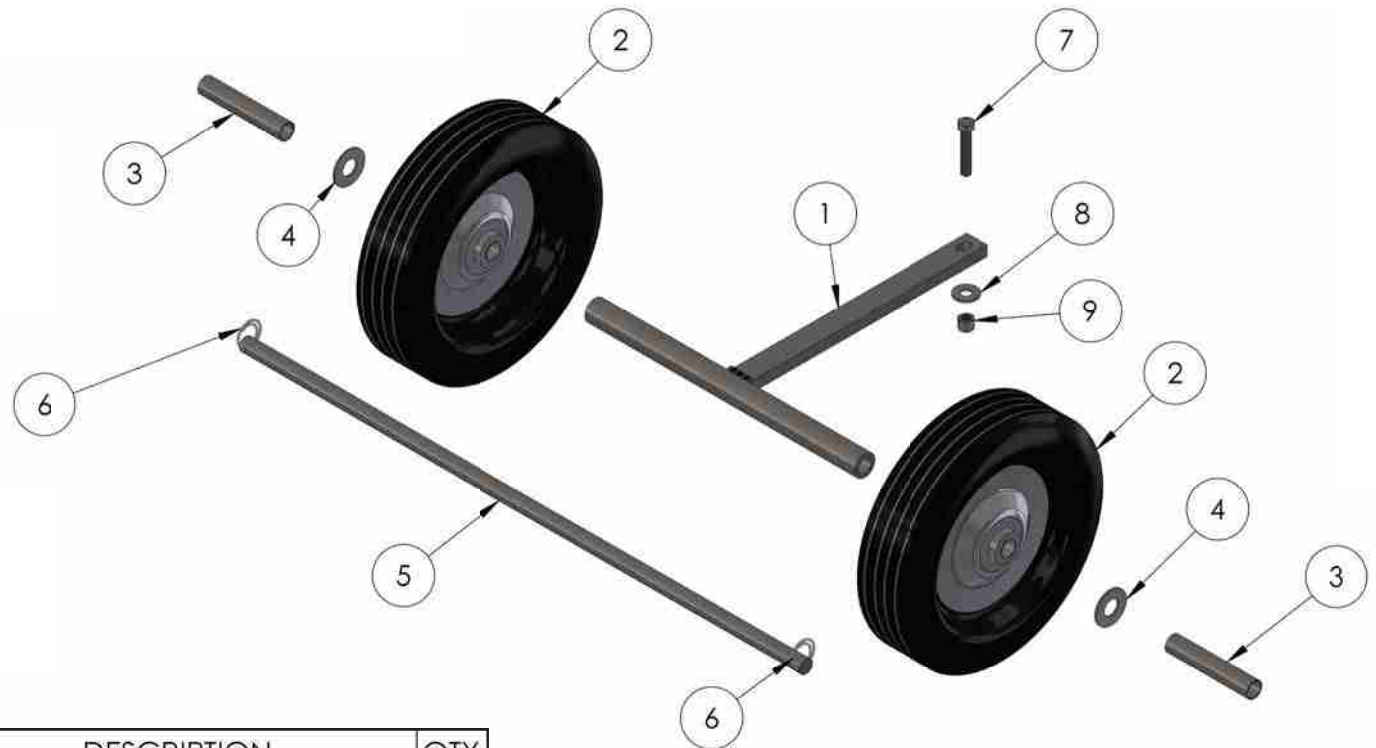
ITEM NO.	PART NUMBER	DESCRIPTION	QTY.
1	783732	FRONT LEG WELDMENT, 10/12/15	1
1	783738	FRONT LEG WELDMENT, 18/20/24/25	1
2	779005	CASTER, 5" PLATE SWIVEL ( RED )	1
3	783098	SPACER 2-3/4 X 3-34 X 1/8" THK	1
4	783644	SHAFT, LEG ROLLER	1
5	783569	ROLLER LEG	1
6	778352	TAP, 2" B/Y CAUTION STRIP ( SEE NOTE)	1
7	771269	SCREW, BHC 5/16-18 X 0.75	4
8	772502	NUT, INSERT JAM 5/16-18	4
9	776077	RETAINER RING #5133-62	2

# 783935 - OUTRIGGER ASSEMBLY



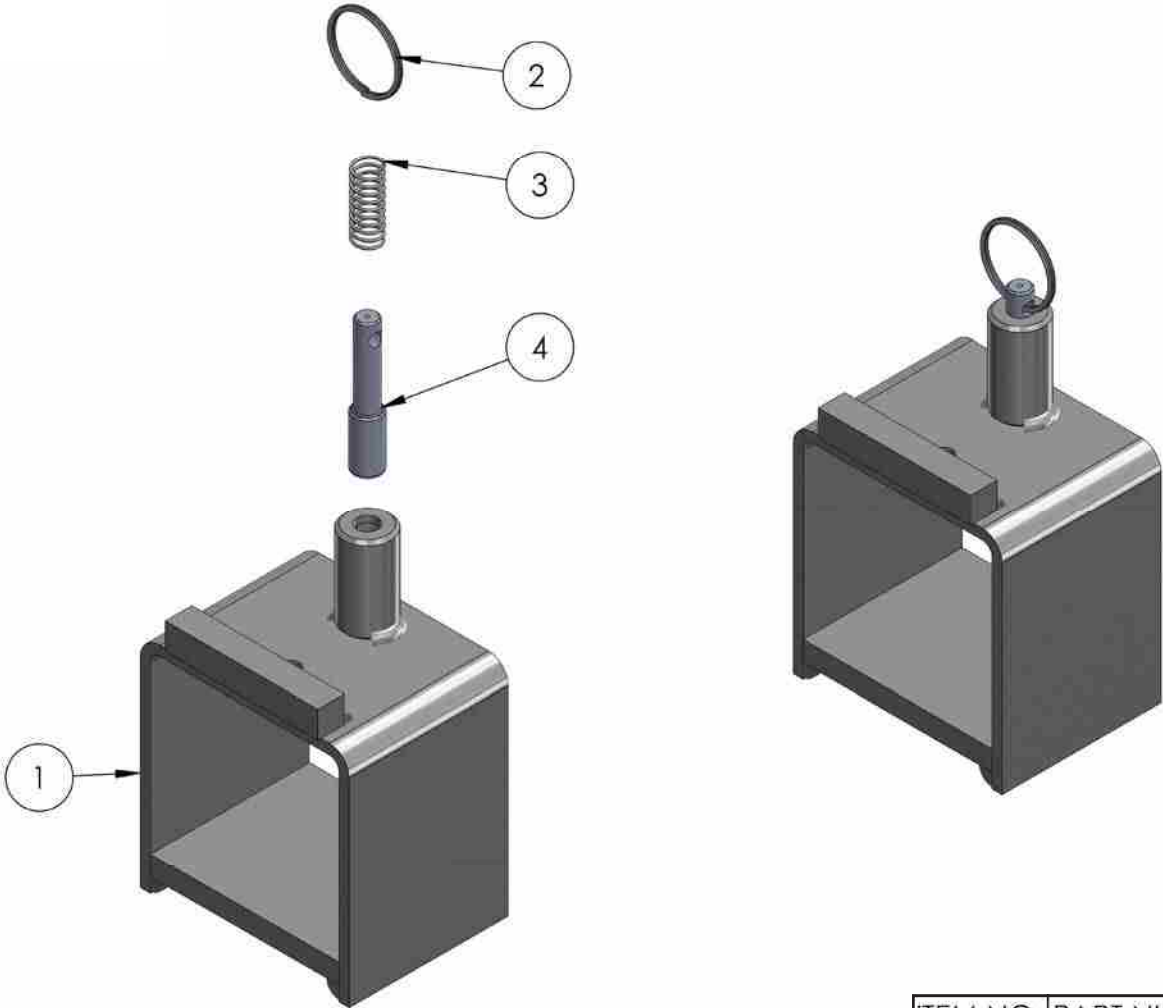
ITEM NO.	PART NUMBER	DESCRIPTION	QTY.
1	783528	LEG WELDMENT, OUTRIGGER	2
2	783938	OUTRIGGER SUPPORT TUBE, 2500	2
3	783940	OUTRIGGER LOCK ASSEMBLY	2
4	774080	PIN ROLL 3/16 X 1.0" LN	2
5	779002	CASTER, 125 X 32 12MM STEM	2
6	773590	WASHER, LOCK 1/2	2
7	772801	NUT, HEX 12MM ZINC PLATED	2
8	771142	SCREW, HHC 1/2-13 X 3	2
9	772358	NUT, INSERT JAM 1/2 -13	2
10	771090	SCREW, HHC 3/8-16 X 1.5"	2
11	772350	NUT, INSERT JAM 3/8 - 16	2
12	778352	TAPE, 2" B/Y CAUTION STRIP (SEE NOTE)	2
13	778348	LABEL, LOWER STABELIZER LEG	2
14	773091	WASHER, FLAT 7/8" USS PLATED	2

# 783736 - 10" WHEEL KIT ASSEMBLY



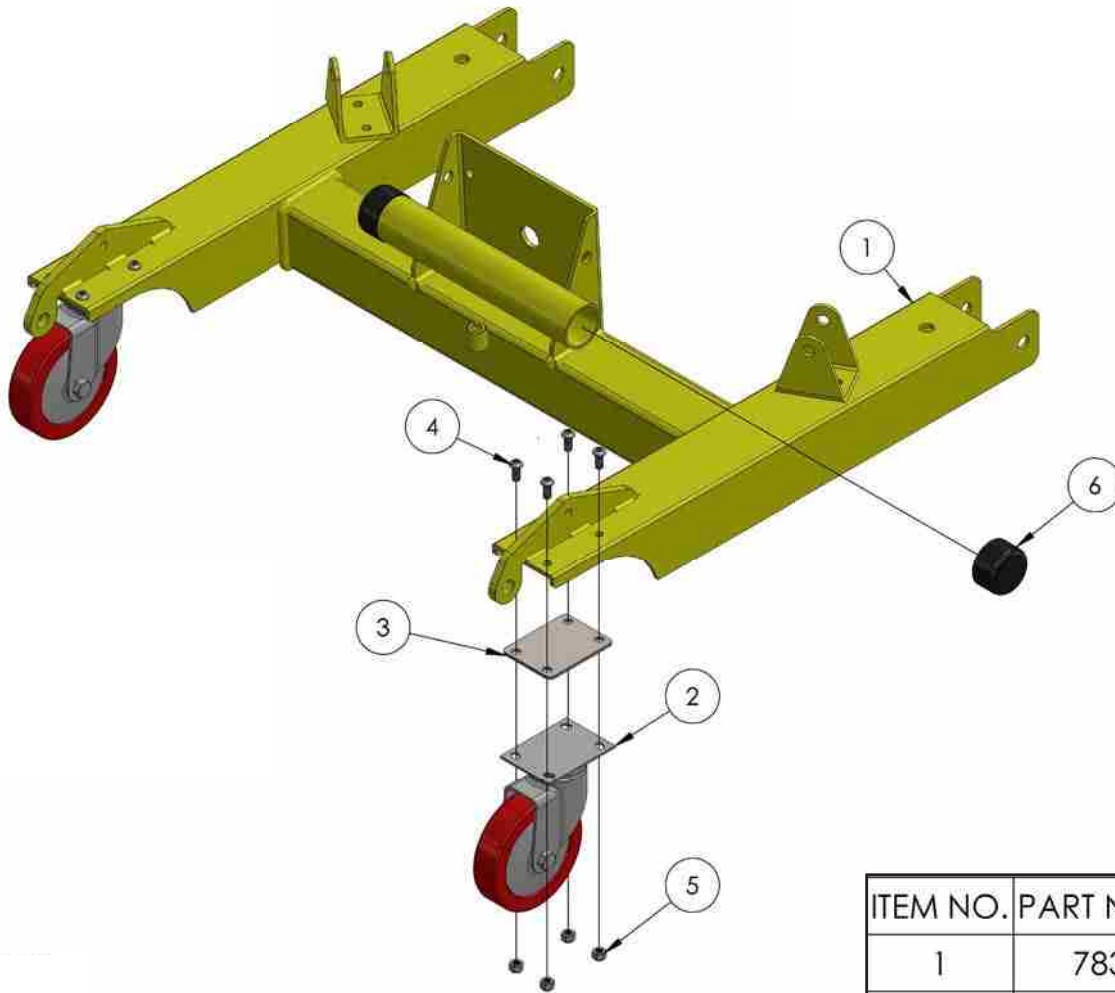
ITEM NO.	PART NUMBER	DESCRIPTION	QTY.
1	783735	AXEL SUPPORT, 2100 SERIES LIFT	1
2	779011	WHEEL, 10" RUBBER TIRE	2
3	774039	SPACER, BUTTITE 5/8 X 4"	2
4	773051	WASHER, FLAT 5/8 USS	2
5	782544	AXLE, MODEL 209	1
6	774054	COTTER, CIRCLR Z/P 0.072 X 1.125"	2
7	771112	SCREW, HHC 3/8-16 X 2"LN	1
8	773040	WASHER, FLAT 3/8"	1
9	772355	NUT, INSERT LOCK 3/8-16	1

# 783746 - LEG LOCK ASSEMBLY



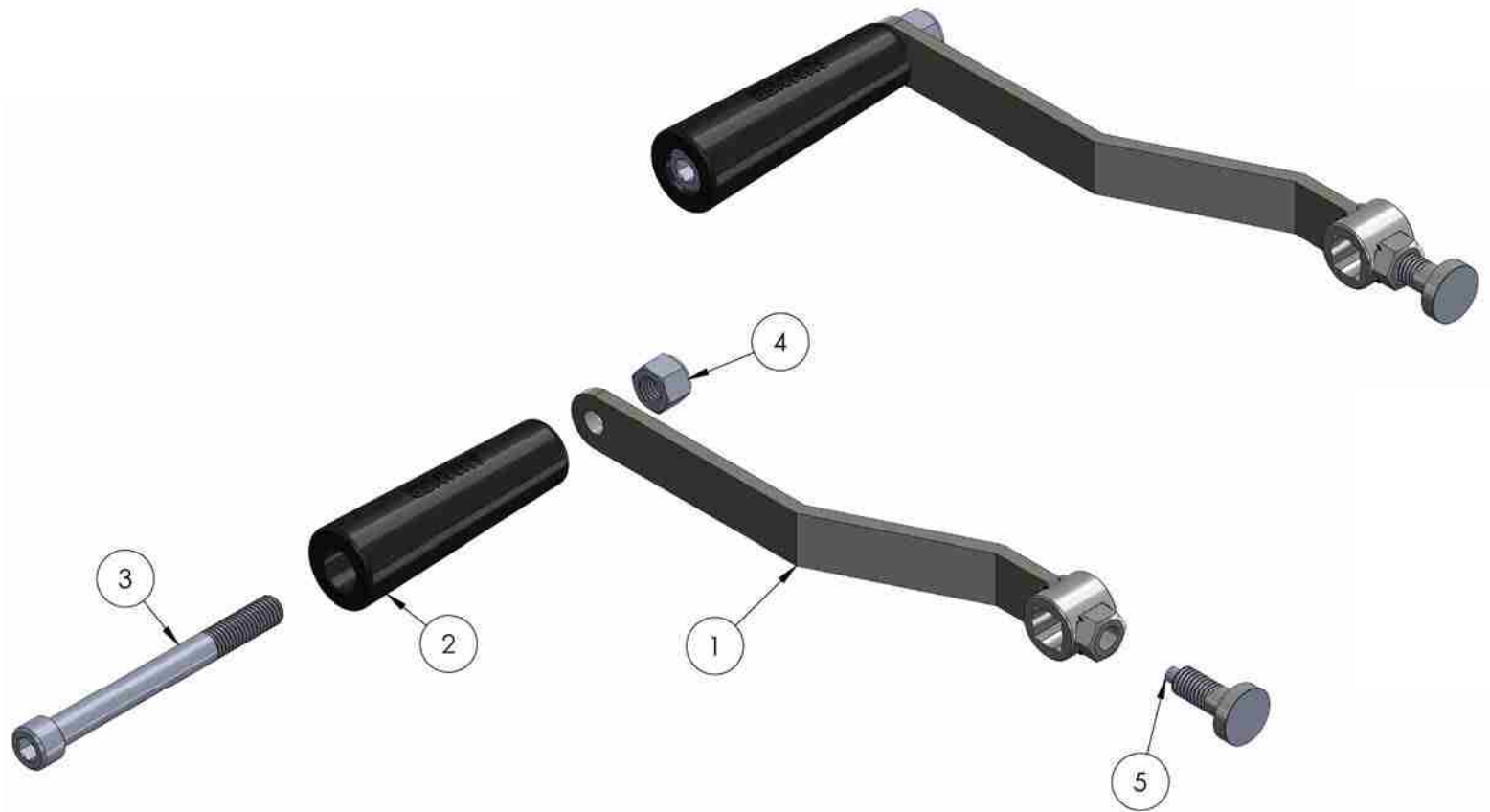
ITEM NO.	PART NUMBER	DESCRIPTION	QTY.
1	783740	LEG LOCK WELDMENT, 2100 SERIES	1
2	775110	SPLIT RING 1-1/4" NICKLE PLATED	1
3	776212	SPRING, #DWC - 042 - G - 9	1
4	782510	PLUNGER	1

# 783750 - BASE ASSEMBLY



ITEM NO.	PART NUMBER	DESCRIPTION	QTY.
1	783749	BASE WELDMENT, 2100 SERIES	1
2	779005	CASTER, 5" PLATE SWIVEL ( RED )	2
3	783098	SPACER 2-3/4 X 3-34 X 1/8" THK	2
4	771269	SCREW, BHC 5/16-18 X 0.75	8
5	772502	NUT, INSERT JAM 5/16-18	8
6	779905	CAP, 2" OD TUBE, BLACK	2

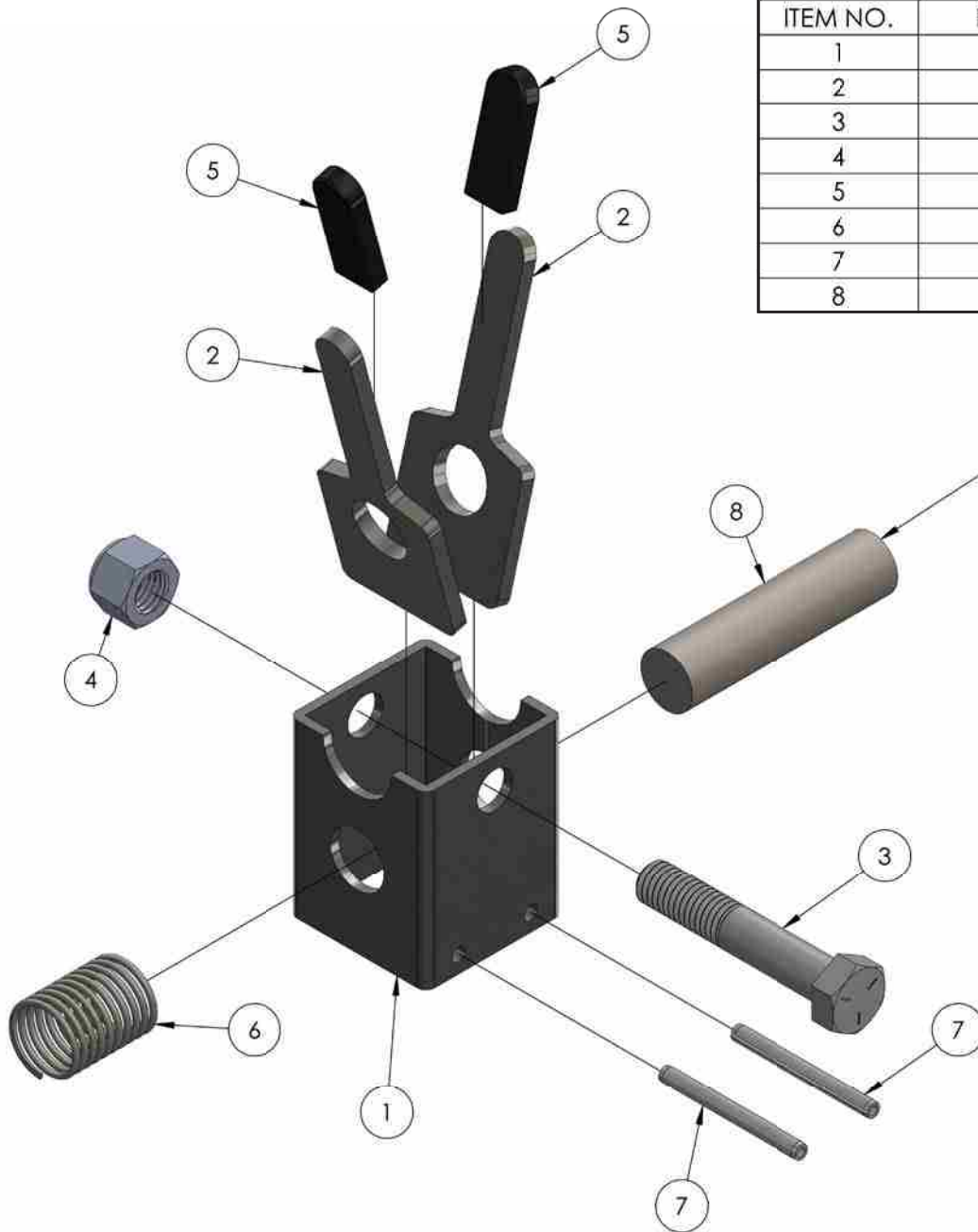
# 783757 - WINCH HANDLE ASSEMBLY



ITEM NO.	PART NUMBER	DESCRIPTION	QTY.
1	783756	WINCH HANDLE WELDMENT	1
2	780182	WINCH HANDLE SLEEVE	1
3	771254	SCREW, SHC 1/2 -13 X 5"LN	1
4	772358	NUT, INSERT JAM 1/2 -13	1
5	774180	SPRING PLUNGER, M 1/4 DIA.	1

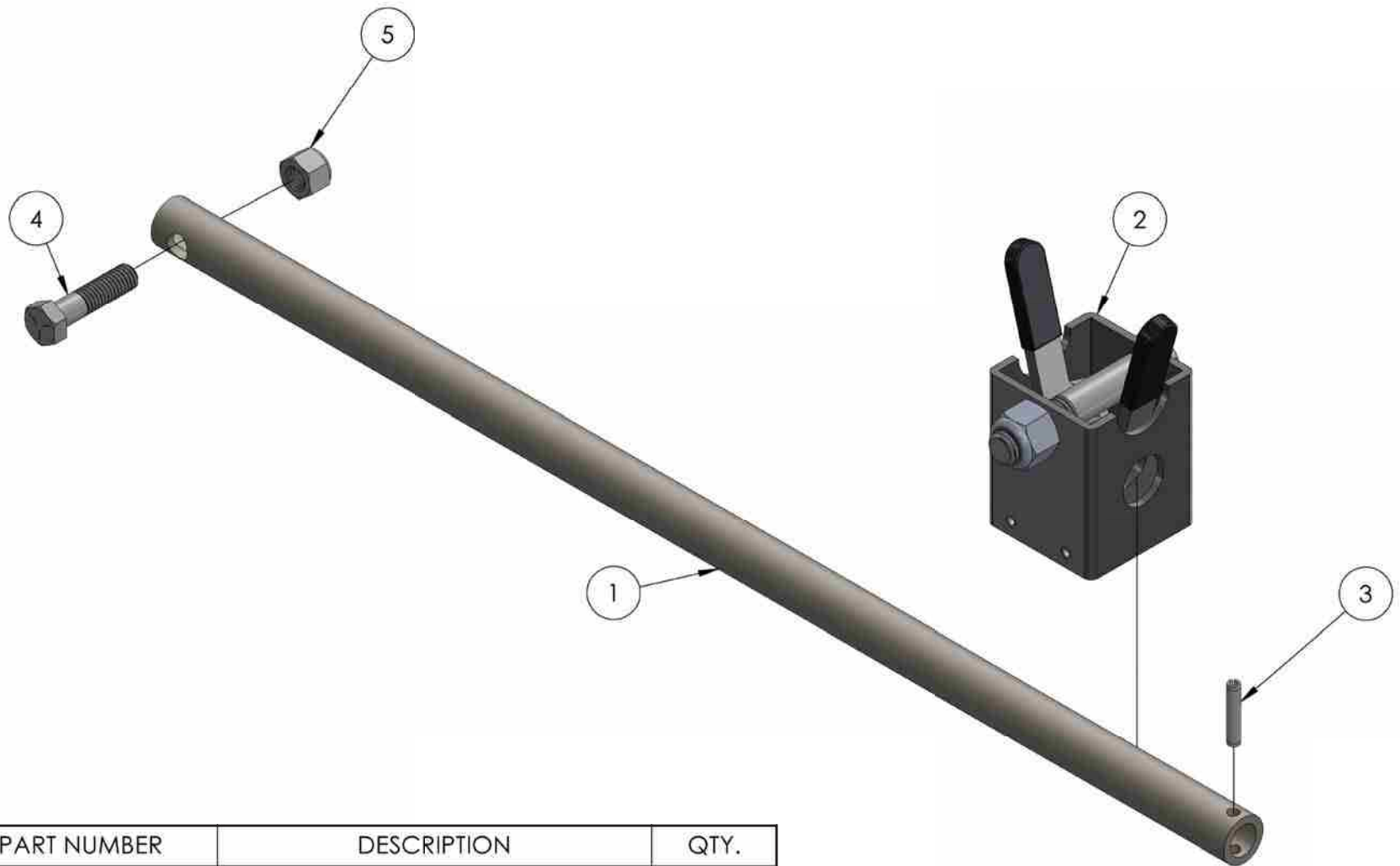
# 783940 - OUTRIGGER LOCK TUBE ASSEMBLY

ITEM NO.	PART NUMBER	DESCRIPTION	QTY.
1	783941	OUTRIGGER LOCK TUBE	1
2	783942	OUTRIGGER LOCK FINGER	2
3	771141	SCREW, HHC 1/2-13X2.75" LN	1
4	772358	NUT, INSERT JAM 1/2 -13	1
5	779938	CAP, RECT RD END 3/16X0.5X2.0"	2
6	776221	CENTUREY SPRING #2952	1
7	774084	PIN, SPRING 3/16X2.0"	2
8	783944	OUTRIGGER SUPPORT TUBE STUB	1



OUTRIGGER SUPPORT TUBE STUB LOCKS ASSEMBLY IS INSTALLED TO SUPPORT THE ASSEMBLY DURING SHIPMENT AND IS TO BE DISGUARED BEORE INSTALLATION.

# 783945 - OUTRIGGER SUPPORT TUBE ASSEMBLY



ITEM NO.	PART NUMBER	DESCRIPTION	QTY.
1	783943	OUTRIGGER SUPPORT TUBE 2000/2100	1
2	783940	OUTRIGGER LOCK ASSEMBLY	1
3	774080	PIN ROLL 3/16 X 1.0" LN	1
4	771090	SCREW, HHC 3/8-16 X 1.5"	1
5	772350	NUT, INSERT JAM 3/8 - 16	1

# 784490 - NL WINCH ASSEMBLY

ITEM NO.	PART NUMBER	DESCRIPTION	QTY.
1	784492	SIDE PLATE ASSEMBLY-LH, NL WNCH	1
2	784494	SIDE PLATE ASSEMBLY-RH, NL WNCH	1
3	783613	DRUM ASSEMBLY	1
4	783754	DRIVE SHAFT NL WINCH	1
5	784500	SHAFT, HOIST DRUM PINION, SQ END	1
6	783606	DRUM SPACER SHAFT	1
7	783599	SPACER-WINCH SIDE PLATE	1
8	784498	PLATE, INNER BRAKE DISC, NL WINCH	1
9	780212	PLATE, OUTER BRAKE DISC, NL WINCH	1
10	780214	BRAKE RATCHET WJ-15	1
11	783615	BRAKE DISK	2
12	783598	SPACER-RATCHET	1
13	780216	HOUST RATCHET DOG WJ-19	1
14	783612	BRAKE COVER	1
15	783611	GEAR COVER	1
16	784284	WINCH HANDLE ADAPTER	1
17	783757	WINCH HANDLE	2
18	782619	WINCH SHAFT, ROLLER	1
19	783764	SLEEVE, ROLLER SHAFT	1
20	779045	5" PLASTIC WHEEL	2
21	783621	RATCHET DOG SPRING	1
22	776042	SCREW, BHMS #8-32 X 1/2" LN	2
23	771431	SET SCREW 1/4-20 X 5/16"LN FLT PT	2
24	771290	SCREW, FHSC 1/4-20 X 2.25"LN	2
25	771100	SCREW, HHC 3/8-16X1.75" LN	1
26	771111	SCREW, HHC 3/8-16X5.5" LN	1
27	772502	NUT, INSERT JAM 5/16-18	1
28	772355	NUT, INSERT LOCK 3/8-16	2
29	772375	NUT, INSERT JAM 5/8-16	1
30	773040	WASHER, FLAT 3/8"	3
31	773631	WASHER, FLAT 3/8"	1
32	773085	WASHER, BELLEVILLE 1/2"	2
33	776072	RING, EXTERNAL RETAINING 1/2"	2
34	771105	SCREW, HHC 3/8-16X6" LN	1

