

1045FA - SELF DISCHARGE BOAT SKIP



The 1045 has been specifically designed by Eichinger to meet the specific needs of moving waste around site with health and safety in mind. With the bespoke lock and release mechanism on the lifting arm this skip does away with the need for personnel to be in the "danger area" while in use. Automated tipping will increase efficiency and productivity for all involved!

Product Code	SWL (kg)	Capacity (ltrs)	Height (mm) HANGING	Width (mm)	Length (mm)	Weight (kg)
1045-200	400	200	500	600	1050	70
1045-500	1000	500	550	1350	1960	130
1045-1000	2000	1000	650	1600	2200	275
1045-1500	3000	1500	950	1750	2250	425
1045-2000	4000	2000	950	1750	2600	540
1045-3000	6000	4000	1000	1950	3100	800
1045-4000	8000	4000	1200	2050	3250	1320

The following instructions must be read and understood by each intended user of this equipment; if there is anything you do not understand contact Eichinger Equipment Ltd.

Ensure the equipment is adequate for the job you need to carry out.

You must not operate this equipment if you are under the influence of alcohol, drugs or if you are feeling unwell.

A risk assessment should be carried out prior to moving or using this equipment.

The following PPE (Personal protective equipment) should be worn when using this equipment:

Gloves / Goggles / Hard Hat / Steel Toecap boots / Hi-Vis Vest

We also suggest suitable clothing should be worn.

Familiarise yourself with the equipment, its use and how it works!

As this equipment is used at multi-level, ensure the intended area for use is clear of overhead cables and power lines or similar hazards which may affect its safe use. This equipment must always be used in conjunction with your site safety policies.

The work area must be clear of obstructions with adequate space for the operative to work safely around the equipment.

Check and ensure the equipment is inspected and in a safe condition prior to its use. Also ensure that its load is stable and secure.

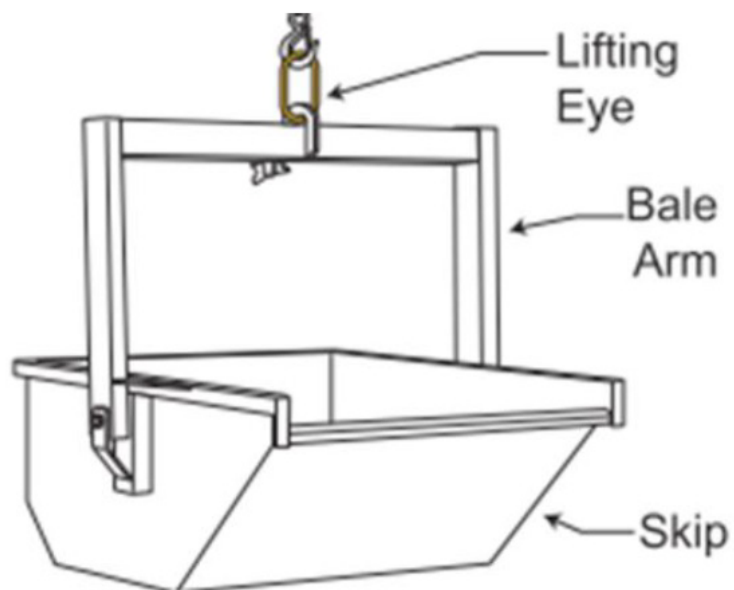
SETUP

The bale arm will be in the "down position" when being attached to the lifting device.

Attach the lifting hook to the lifting eye on the bale arm ensuring the hook is securely closed prior to lifting. Once happy that the hook is secure, raise the skip just off of the ground and check the skip is balanced.

The work area must be clear of obstructions with adequate space for the operative to work safely around the equipment.

Check and ensure the equipment is inspected and in a safe condition prior to its use



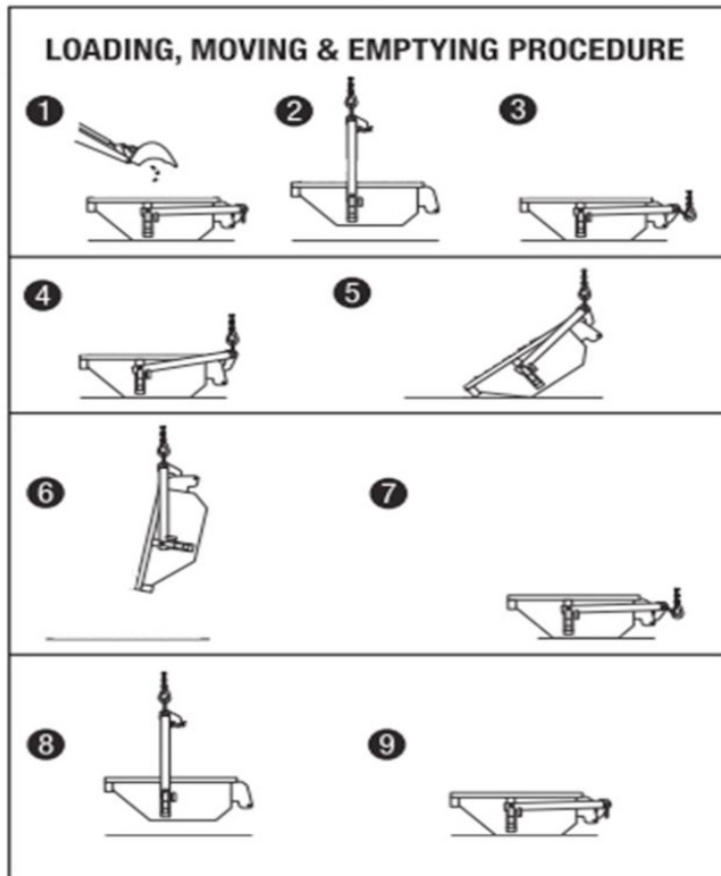
WARNING!

NEVER raise or move the skip whilst in the "discharged" position. Sudden movements may result in the locking system releasing. This in turn may result in endangering or damaging personnel and property



The 1045 self discharge boat skip is fitted with a rotating locking system. This engages with the catches on the back of the skip each time the lifting arm is lowered.

If the rotating locking system is out of sequence raise and then lower the bale arm in order to "reset" the sequence.



LOADING, MOVING, & EMPTYING

It is advisable that both the banksman and the crane operator together with any other intended users of this equipment are fully familiar with the safe operation of the self discharge boat skip.

The best way to achieve this is to have a practice run while the unit is empty, once confident in the use of the equipment place the skip on firm, level ground clear of obstructions and make sure that the bale arm is lowered and that the rotating locking mechanism is in the correct position to allow for the next lift:



1. Load the skip with an even load. DO NOT over load the unit either by weight or volume.

2. Once loaded and ready, clear the area of any personnel (There is no need for personnel to be in the danger zone during the use of this unit). Lift the loaded skip off of the ground and check the load is even and secure. UNDER NO CIRCUMSTANCES ALLOW PERSONNEL UNDER THE SKIP ONCE LIFTED

3. Once the skip has been moved to the discharge area land the skip on the ground with the front of the skip facing the intended discharge area. Lower the bale arm fully, allowing the rotating locking system to engage.

4&5 Once the bale arm has been fully lowered raise the arm slowly whilst the banksman ensures the rotating locking mechanism has engaged and that the skip is now being lifted in its "tipping" position.

6&7. Allow the skip to empty fully. Once completed lower the skip back onto the ground allowing the bale arm to lower fully once again allowing the rotating locking mechanism to engage.

8&9. Raise the skip slowly ensuring the rotating locking mechanism has engaged, allowing the bale arm to be raised above the skip as in part 2. Move the skip to the intended area for loading and repeat the above process

WARNING!

In the event that the rotating locking mechanism fails to operate contact Eichinger Equipment Ltd for advice.

Eichinger equipment Ltd do not recommend the use of this unit for the movement of dangerous or toxic materials or chemicals, or for the movement of liquids.

In the event that loose items need to be moved contact Eichinger Equipment Ltd who can provide guidance on the use of load restraint netting for this unit.

Under no circumstances should fires be allowed in this equipment. The 1045 self discharge boat skip should be used only for its intended purpose and no other work.